

UPHOLSTERY

EXAMINATION SCHEME

There will be three papers, Papers 1, 2 and 3, all of which must be taken.

Papers 1 and 2 shall be a composite paper to be taken at one sitting.

Paper 1: will consist of forty multiple-choice objective questions all of which are to be answered in 1 hour for 40 marks.

Paper 2: will consist of four short-structured questions. Candidates will be required to answer any three questions in 1 hour for 60 marks.

Paper 3: will be a practical test of 2 hours duration. It will consist of one question for 100 marks.

A list of material for the test shall be made available to schools not less than two weeks before the paper is taken for material procurement and relevant preparations.

ALTERNATIVE TO PRACTICAL TEST

The Council may consider testing candidates' ability in practical work as prescribed in the syllabus in the event that materials for the actual practical test cannot be acquired. For this alternative test there will be one question to be answered in 2 hours for 100 marks.

SAMPLE QUESTIONS

OBJECTIVE

1. Inflammable liquids in sealed containers are kept away from
 - A. heat.
 - B. water.
 - C. cold.
 - D. dust.

2. The **best** way to pass a sharp pointed edge tool in the workshop is
 - A. through its cutting edge.
 - B. through its pointed edge.
 - C. by throwing it.
 - D. through its handle.

3. Which of the following is worn when using machines which produce dust, chips and shavings?
 - A. Goggles
 - B. Glasses
 - C. Helmet
 - D. Sun shade

4. The upholstery hand tool used for the cutting of fabric is
 - A. blades.
 - B. scissors.
 - C. saw.
 - D. chisel.

5. Which of the following operations is carried out during maintenance of power tools?
 - A. Disconnection
 - B. Connection
 - C. Switching on
 - D. Operating the machine

6. Which of the following types of maintenance is carried out on a machine to avoid total breakdown?
 - A. Diagnostic
 - B. Preventive
 - C. Time-lag
 - D. Corrective

7. The portable power tool used for cutting curves is
 - A. jig saw.
 - B. electric cutter.
 - C. power drill.
 - D. circular saw.

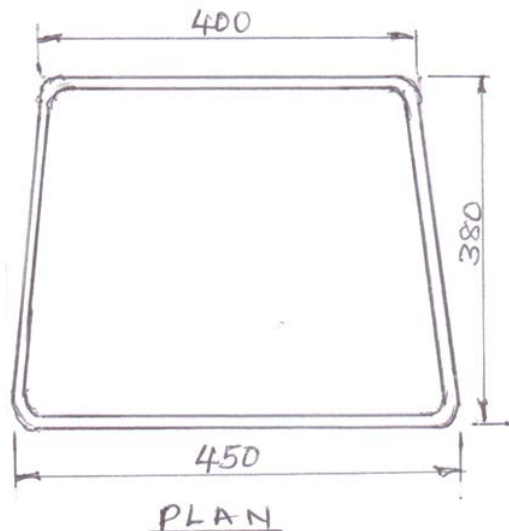
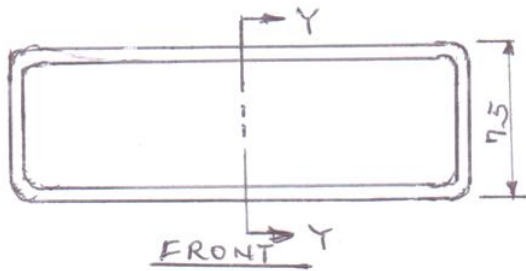
SHORT STRUCTURED QUESTIONS

1. (a) Name **two** methods of carrying out each of the following activities in an upholstery production enterprise:
 - (i) raising business capital;
 - (ii) assessing customer needs;
 - (iii) assessing customer satisfaction;
 - (iv) assessing product quality;
 - (v) business recapitalization;
 - (vi) obtaining design ideas and information.

- (b) Name **four** types of business organization open to intending entrepreneurs in upholstery trade practice.

- (c) Name **two** types of document kept by each of the following personnel in an upholstery production shop:
 - (i) store keeper ;
 - (ii) machinist;
 - (iii) salesperson.

PRACTICAL



PADDED SEAT OF
A DINING CHAIR

1. Covering is synthetic leather
2. All dimensions in mm.
3. Not to scale.

1. Study the views carefully and construct the seat.

LIST OF MATERIALS

1. 450 x 380 mm latex foam.
2. 750 x 560 mm soft synthetic leather.
3. 4000 mm ϕ 3 cord.
4. 1 small roll matching colour sewing thread.
5. 470 x 400 mm calico.
6. 6 mm upholstery staples.
7. 450 x 380 mm 18 mm plywood.

SPECIAL TOOLS

1. Manual Sewing Machine.
2. Portable Power Drill with appropriate bit.
3. Staple Gun.

PAPER 3 (ALTERNATIVE TO PRACTICAL)

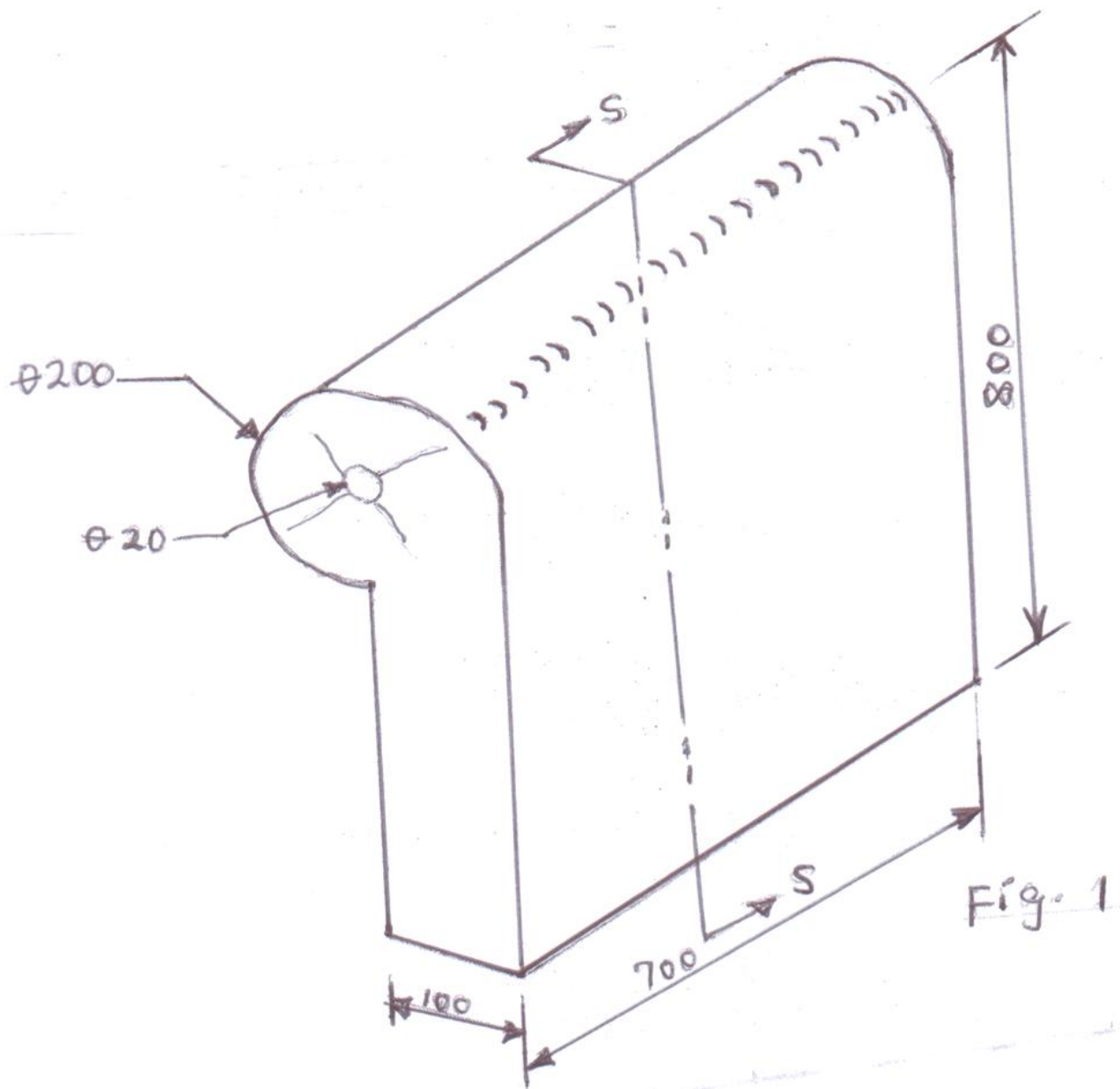


Figure 1 shows an upholstered arm of a lounge seat.

Study the drawing carefully and use it to answer the following questions:

1. Draw Section S-S to show the details of the method used to achieve the circular shape.

2. Label **three** members shown in section S-S drawn in question 1.
3. Calculate the size of:
 - (a) synthetic foam required to make the two arms of the seat;
 - (b) the fabric required to cover the two arms of the seat. Allow 12mm width for the seam on each side of a joint.
4. List **two** portable power tools needed to cut the formwork.
5. Outline in sequence the seven steps involved in covering the arm.